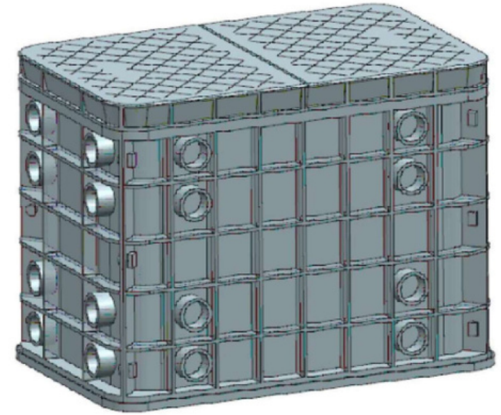


Introduction

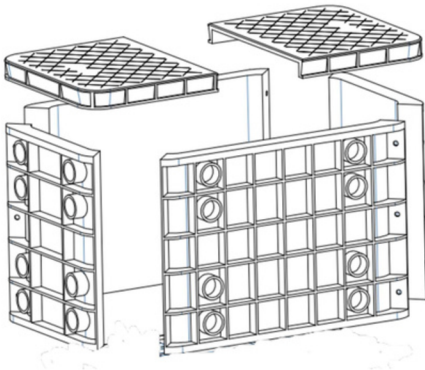
OSP Solutions Vaults are designed with convenience in mind, these vaults feature integrated hardware for quick and secure installations, saving money and space. Experience peace of mind knowing that your critical components are housed in a durable, high-performance solution that will serve you well for years to come.

Advantages

- Easy customization
- Superior composite durability
- Cost effective modular design
- Space saving for convenient storage



Specifications



	B30-24	Manhole	Cover
Load Bearing		SCTE-77 Tier22	En124-5 B125/D400
Internal Size		30x48in	25x32in
External Size		34x52in	
Height		36in	1.5in
Weight		100lbs	66lbs, split lid
Fastening		Fast Clip	S.S Screw

