

## Introduction

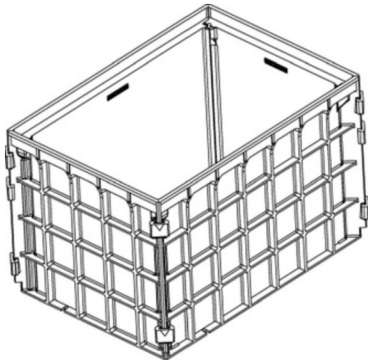
OSP Solutions Vaults are designed with convenience in mind, these vaults feature integrated hardware for quick and secure installations, saving money and space. Experience peace of mind knowing that your critical components are housed in a durable, high-performance solution that will serve you well for years to come.

## Advantages

- Easy customization
- Superior composite durability
- Cost effective modular design
- Space saving for convenient storage



## Specifications



B36-6	Manhole	Cover
Load Bearing	SCTE-77 Tier22	SCTE-77 Tier22
Internal Size	24x36in	
External Size	26x39in	26x39in
Height	36in	1.5in
Weight	125lbs	77lbs
Fastening	Fast Clip	S.S Screw

## Additional Chamber Height

