

Introduction

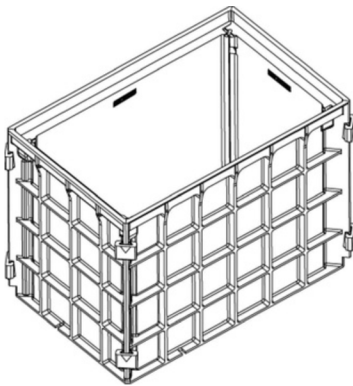
OSP Solutions Vaults are designed with convenience in mind, these vaults feature integrated hardware for quick and secure installations, saving money and space. Experience peace of mind knowing that your critical components are housed in a durable, high-performance solution that will serve you well for years to come.

Advantages

- Easy customization
- Superior composite durability
- Cost effective modular design
- Space saving for convenient storage



Specifications



B30-24	Manhole	Cover
Load Bearing	SCTE-77 Tier22	SCTE-77 Tier22
Internal Size	17x30in	21x31in
External Size	22x34in	
Height	24in	2in
Weight	65lbs	48lbs
Fastening	Fast Clip	S.S Screw

Additional Chamber Height

